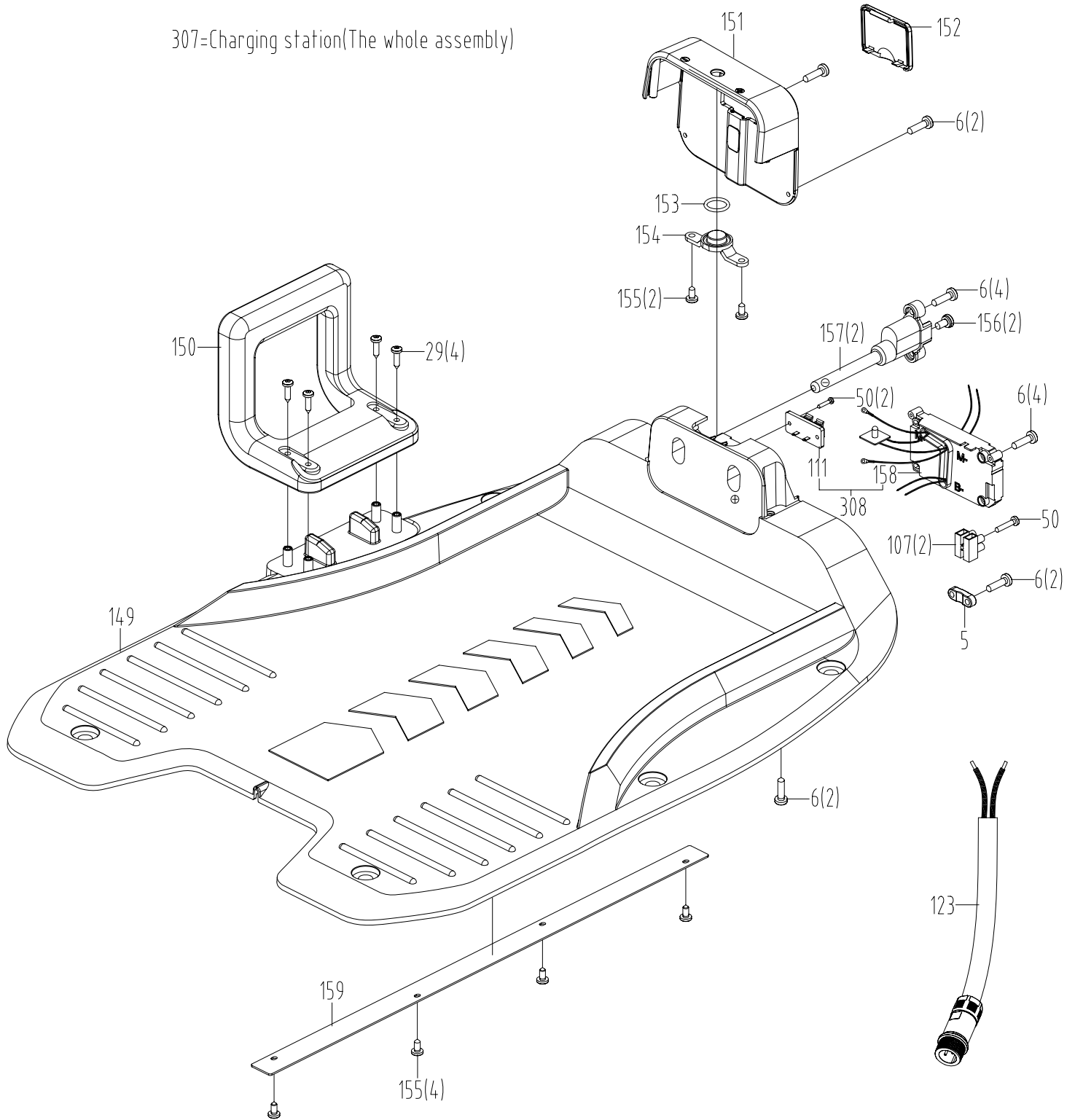
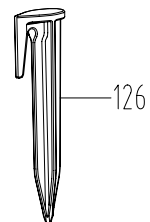
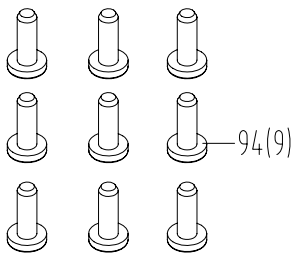
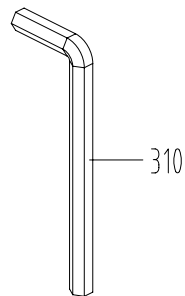
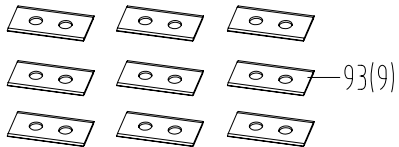
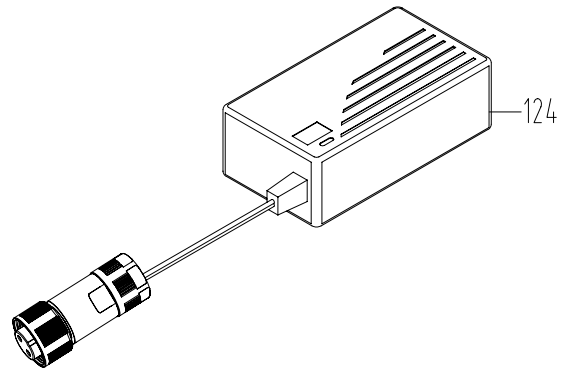
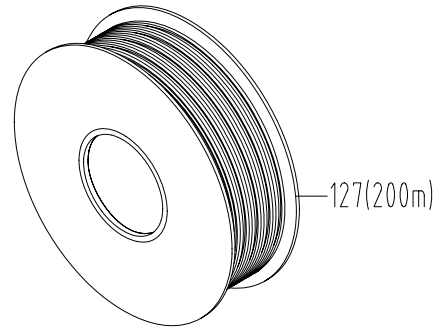
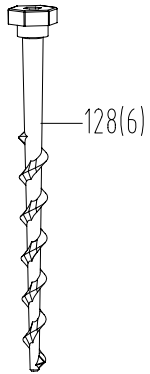
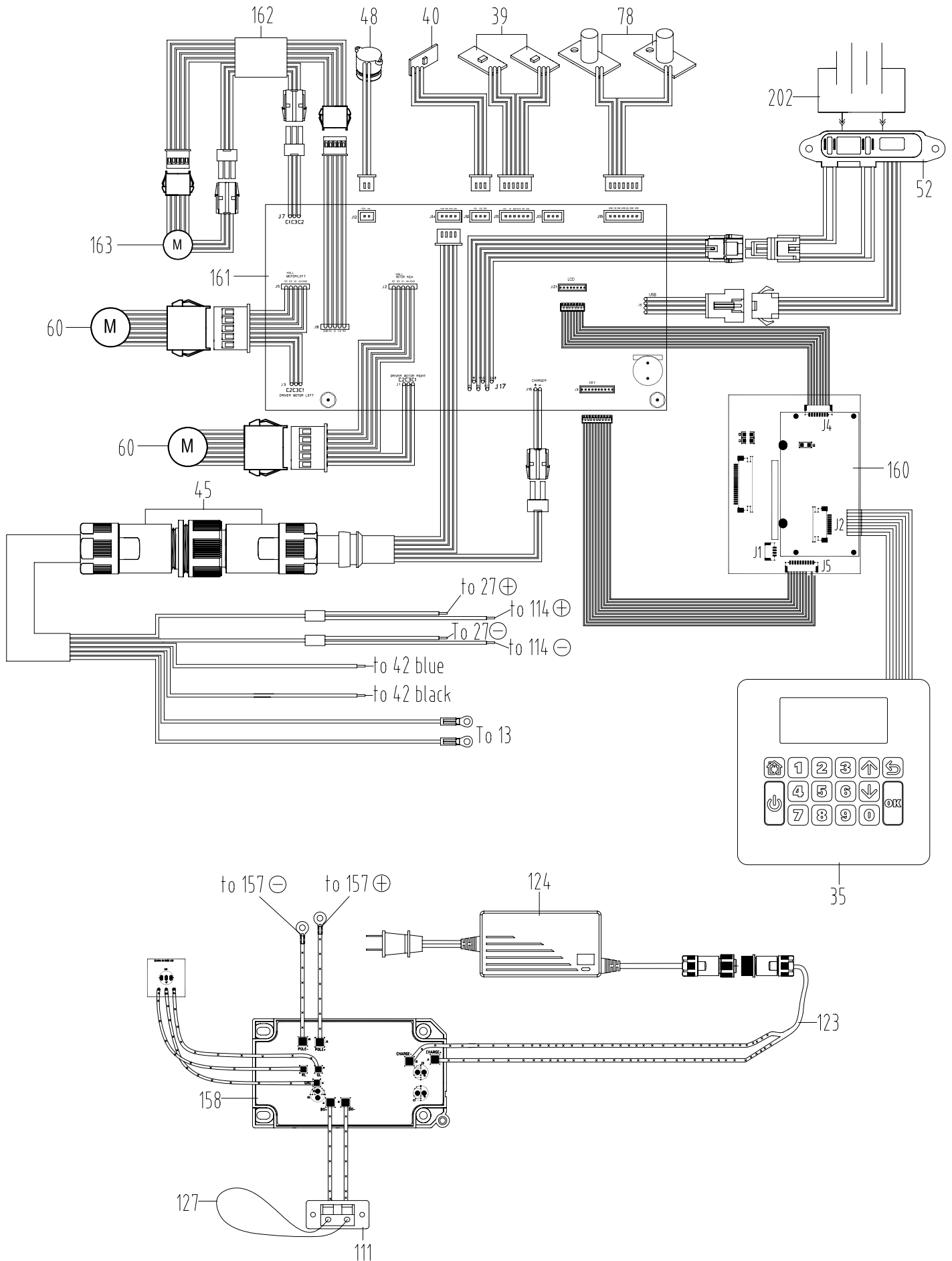


307=Charging station(The whole assembly)







Model	Pos.n.	Cod.Articolo	Descrizione	Q.tà	Note
WG792E	1	500 22491	Cable clip	9	
WG792E	4	500 22494	Self Tapping Screw	31	
WG792E	5	500 00840	Cord clamp	9	
WG792E	6	500 22495	Screw	53	
WG792E	7	500 24261	Connecting Rod II	1	
WG792E	8	500 24262	Fore Cover	1	
WG792E	9	500 22498	Self Tapping Screw	1	
WG792E	10	500 22499	Magnet	2	
WG792E	11	500 22500	Bolt	6	
WG792E	12	500 27758	Rated Label	1	
WG792E	13	500 22502	Bolt	2	
WG792E	14	500 22503	Button	1	
WG792E	15	500 22504	Compression Spring	1	
WG792E	16	500 25053	Top Cover II	1	
WG792E	17	500 22506	Nut	2	
WG792E	18	500 22507	Inspect Window	1	
WG792E	19	500 22508	Guide I+II	2	
WG792E	21	500 22510	Torsional Spring	2	
WG792E	22	500 22511	Rotating Block	2	
WG792E	23	500 22512	Washer	10	
WG792E	24	500 22513	Baffle Board	1	
WG792E	25	500 23010	Big washer	1	
WG792E	27	500 22515	Contact plate	2	
WG792E	28	500 22516	Clamping Plate II	1	
WG792E	29	500 22517	Screw	42	
WG792E	30	500 22518	Fixing Block II	2	
WG792E	31	500 22519	Seal Sheath II	2	
WG792E	32	500 25054	Linkage I	2	
WG792E	33	500 20977	Magnet	2	
WG792E	34	500 22521	Support Base	2	
WG792E	35	500 28038	Keyboard	1	
WG792E	36	500 26981	Top Cover I	1	
WG792E	37	500 00976	Washer	4	
WG792E	39	500 28182	Monitor BoardIV	1	
WG792E	40	500 28150	Tilt sensor	1	
WG792E	41	500 22527	Depth Adjustment Knob	1	
WG792E	42	500 22529	Switch	1	
WG792E	45	500 28180	Electrical Wire	1	
WG792E	47	500 27759	Deck	1	
WG792E	48	500 23987	Buzzer	1	
WG792E	48	500 28144	Buzzer	1	
WG792E	49	500 16036	Washer	2	
WG792E	50	500 22534	Screw	5	
WG792E	51	500 22535	O Ring	1	
WG792E	52	500 24691	Terminal block	1	
WG792E	53	500 22537	Adjustment Nut	1	
WG792E	55	500 22539	Roller Guard II	2	
WG792E	56	500 28149	Nut	2	
WG792E	57	500 28148	Spring Washer	2	
WG792E	58	500 28147	Washer	2	
WG792E	59	500 22543	Rear Wheel	2	
WG792E	60	500 28145	Wheel driving motor	2	
WG792E	61	500 22545	O Ring	2	
WG792E	62	500 22546	Mounting piece	1	
WG792E	63	500 22547	Oscillating Column	2	

Model	Pos.n.	Cod.Articolo	Descrizione	Q.tà	Note
WG792E	69	500 22553	Washer	4	
WG792E	77	500 26982	Seal Strip	1	
WG792E	78	500 28181	Monitor Board II	1	
WG792E	81	500 22565	Cable tight	7	
WG792E	82	500 22566	Airproof Patch	1	
WG792E	83	500 25058	Motor Bracket	1	
WG792E	84	500 03050	Washer	4	
WG792E	85	500 22568	Screw	4	
WG792E	88	500 22571	Bind Tape	1	
WG792E	89	500 22572	Seal Sheath I	1	
WG792E	90	500 22573	Bind Tape	2	
WG792E	91	500 25059	Turning disc	1	
WG792E	92	500 22575	Screw Washer	3	
WG792E	93	500 22576	Cutting blade	12	
WG792E	94	500 22577	Screw	12	
WG792E	95	500 22578	Seal Strip	1	
WG792E	107	500 02241	Connector	2	
WG792E	111	500 22588	Terminal Port	1	
WG792E	112	500 22589	Spring	2	
WG792E	113	500 22590	Pin	2	
WG792E	114	500 22591	Pole V	2	
WG792E	123	500 22601	Wire harness ass'y	1	
WG792E	124	500 22602	Adaptor(100-240V,24-28V,50W)WA3716	1	
WG792E	126	500 25061	Cable Clips (including 250 pcs)	1	
WG792E	127	500 22605	Boundary wire (200m) WA0177	1	
WG792E	128	500 26445	Screw	6	
WG792E	129	500 17836	Tie	1	
WG792E	131	500 23969	Washer	2	
WG792E	132	500 23505	Ball Bearing	4	
WG792E	133	500 23507	Washer	2	
WG792E	141	500 23637	Spring	2	
WG792E	142	500 25409	Terminal IV	1	
WG792E	143	500 23639	Pin	2	
WG792E	148	500 25062	Shaft Cover	2	
WG792E	149	500 23953	Base Plate	1	
WG792E	150	500 23947	Handle	1	
WG792E	151	500 24108	Cover	1	
WG792E	152	500 23946	Cover	1	
WG792E	153	500 23951	O Ring	1	
WG792E	154	500 23950	Cover	1	
WG792E	155	500 23949	Screw	6	
WG792E	156	500 23952	Screw ass'y	2	
WG792E	157	500 23948	Terminal	2	
WG792E	158	500 23944	Charging base PCB	1	
WG792E	159	500 23954	Press Plate	1	
WG792E	160	500 28077	Display PCB	1	
WG792E	161	500 28078	Main PCB (I)	1	
WG792E	162	500 25063	Connecting Cable VI	1	
WG792E	163	500 27712	Blade driving motor	1	
WG792E	164	500 26168	Washer I	1	
WG792E	165	500 27760	Connect Sheath II	1	
WG792E	166	500 24718	Spring Washer	1	
WG792E	167	500 24719	Nut	1	
WG792E	168	500 24711	Spacer	1	
WG792E	201	500 28183	Electrical Wire assembly	1	

Model	Pos.n.	Cod.Articolo	Descrizione	Q.tà	Note
WG792E	202	500 24696	Battery Pack (Li-ion,2.0Ah,28V) WA3225	1	
WG792E	300	500 27935	Button cell	1	
WG792E	305	500 25066	Front wheel Set	2	
WG792E	306	500 23502	Oscillating Column Set	2	
WG792E	307	500 25068	Charging station	1	
WG792E	308	500 26272	Circuit Board in Charging base & Termina	1	
WG792E	309	500 27768	Down Housing	1	
WG792E	310	500 02339	Spanner	1	